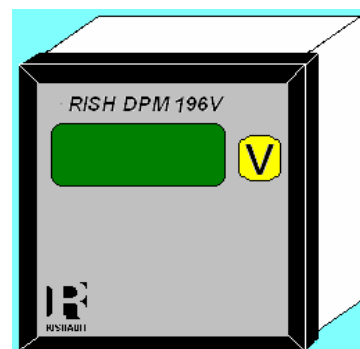
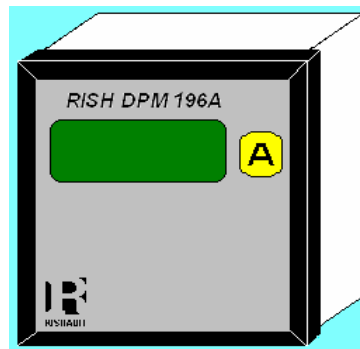


## Features:

- Available in Size 96mm x 96mm
- 1PH. AC Current ranges and voltage ranges
- On site Programmable CT/PT ratio.
- 3 ½ digit ultra bright Display.
- User defined caption
- Auxillary Power Supply :  
AC – 230V (+10% / -15%).  
AC – 110V (+10% / -15%).  
DC – 24V (21....30 V)



Highly adaptable DPMs suitable for a wide range of measuring applications.

Versions available for 1PH. AC Current and AC voltage inputs.

The chosen input range is user adjustable, from 5% to 100% of the full-scale value, for simple adaptation of the digital readout to the input value.

## Applications

The digital panel meters *RISH DPM 196 A/V* have been designed for industrial applications, which frequently require precise and on-site adjustment of the display range.

It can be used in industrial automation and for laboratory uses.

## Description

### *RISH DPM 196 A/V*:

<b>196A</b>	1PH. Current measurement (AC)
<b>196V</b>	1PH. Voltage measurement (AC)

3 ranges for power supply are available.

## Applicable Regulations and Standards

Protection Class Front	IP 20 to IEC EN 60 529 IP 50
Device safety	IEC EN 61 010
EMC immunity	IEC/ EN 61 000-4-1 to 4
EMC radiated interference	IEC/ EN 61326 Class B

## Specifications :

<b>Display:</b>	Display range	: 1999
	Decimal point position	: Selectable by short links at the front side of Display.
	Negative display indication	: “-“
	Digit height	: 14 mm / 7- segment digits.
	Overload indication	: Last 3 digits blank.

## **Measuring ranges:**

<b>Model</b>	<b>196A</b>
Current Ranges Available (Voltage drop < 600 mV )	0...1A [45 ..... 65 Hz] or 0...1A [400 Hz] or 0...5A [45 ..... 65 Hz] or 0...5A [400 Hz]
<b>Model</b>	<b>196V</b>
Voltage Ranges Available (Input Current < 600 $\mu$ A)	0...500 V L-L [45 ..... 65 Hz] or 0...500 V L-L [400 Hz].

## **Accuracy :**

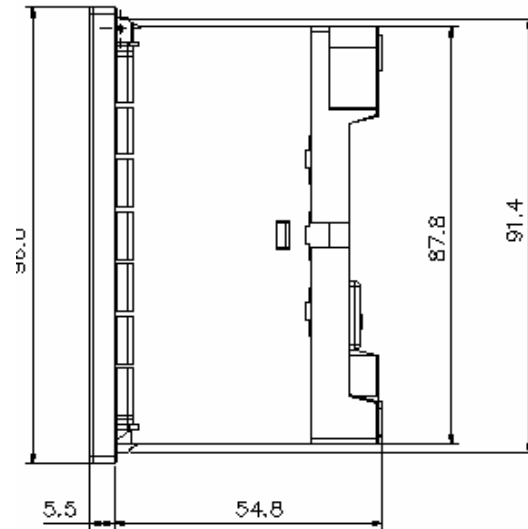
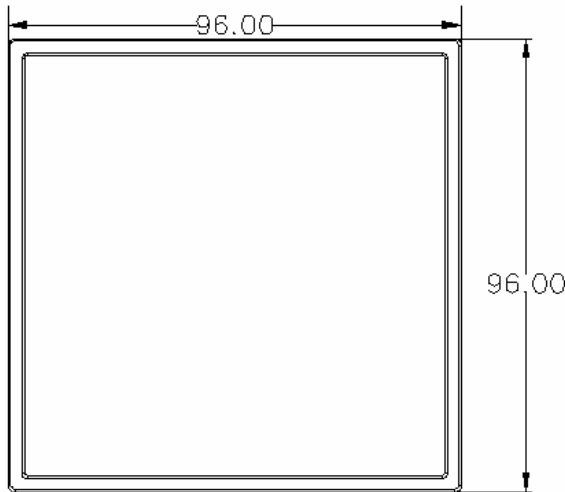
Versions 196 A/V:	Measuring Accuracy Current (Voltage drop < 600 mV)	< 0.5% + 1 digit.
	Measuring Accuracy Voltage (Input Current < 600 $\mu$ A)	< 0.5% + 1 digit.
	Temperature coefficient	100 ppm/ $^{\circ}$ C, plus.
	Zero point drift	200 ppm/ $^{\circ}$ C.
	Range adjustment span	from 5% to 100% of range.

# RISH DPM 196 AV

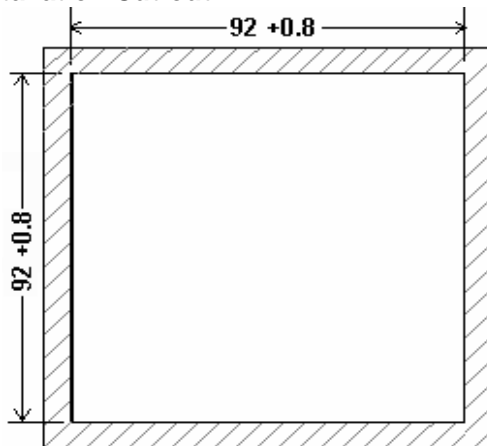


<b>Power supply</b>	Direct voltage DC	24 V DC (21....30V)	5.5W approx. (isolated).
	Alternating voltage AC	: 110 V AC (+ 10% / -15%) 230 V (+ 10% / -15%)	5.5W approx. (isolated). 5.5W approx. (isolated).
	Frequency	: 47 – 60 Hz.	
<b>Ambient conditions</b>	Operating temperature	: 0 ... 55 °C.	
	Storage temperature	: - 25 ... 70 °C.	
<b>Dimensions and Weights</b>	Bezel size	: 96 mm x 96 mm DIN 43 700	
	Panel cut-out	: 92 <sup>+0.8</sup> mm x 92 <sup>+0.8</sup> mm	
	Overall depth	: 55 mm.	
	Weight	: 400 gm. Approx.	
<b>Sundry</b>	Connections	: Plug-in screw terminal blocks.	

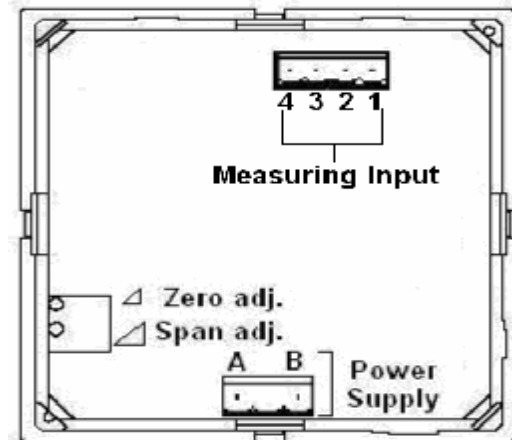
## Design & Installation



### Installation Cut-out :



### Connections Diagram :



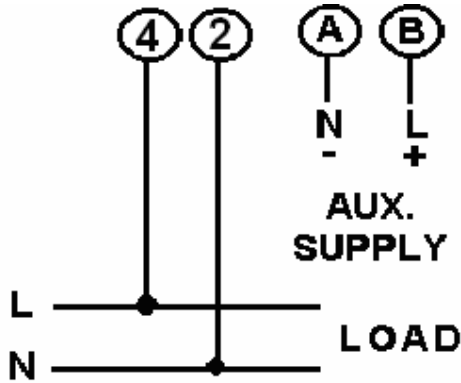
**RISHABH INSTRUMENTS PVT. LTD.**  
 F-31, Satpur M.I.D.C., Nashik 422 007.  
 Tel.: 0253 – 2202203 / 2202150  
 Fax : 0253 – 2351064  
 E-mail : marketing@rishabh-instruments.com  
 Website : www.rishabh-instruments.com

**Connections Diagram :**

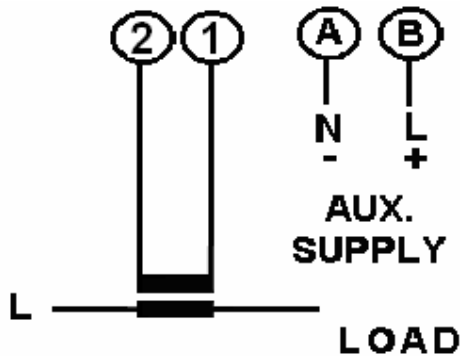
**Decimal point Adjustment :**





Decimal point position is selectable by short links at the front side of Display.

CONNECTION FOR RISH DPM 196V



CONNECTION FOR RISH DPM 196A



Short Link Position	Decimal point position on Display
	XXXX
	X.XXX
	XX.XX
	XXX.X

## Order Details

## Example 1

## Example 2

Type :	..... RISH DPM 196A	RISH DPM 196V
Measuring Input :	..... 0 ... 1 A	0.....500 V
Input Frequency :	..... 50Hz	50 Hz
Display Full-Scale :	..... 0 ... 1000	0.....500
Display caption :	..... A	V
Aux. Supply :	..... 230V AC, 50 Hz.	115 V AC, 50 Hz



## RISHABH INSTRUMENTS PVT. LTD.

F-31, Satpur M.I.D.C., Nashik 422 007.

Tel.: 0253 – 2202203 / 2202150

Fax : 0253 – 2351064

E-mail : [marketing@rishabh-instruments.com](mailto:marketing@rishabh-instruments.com)

Website : [www.rishabh-instruments.com](http://www.rishabh-instruments.com)